

注記 NOTES

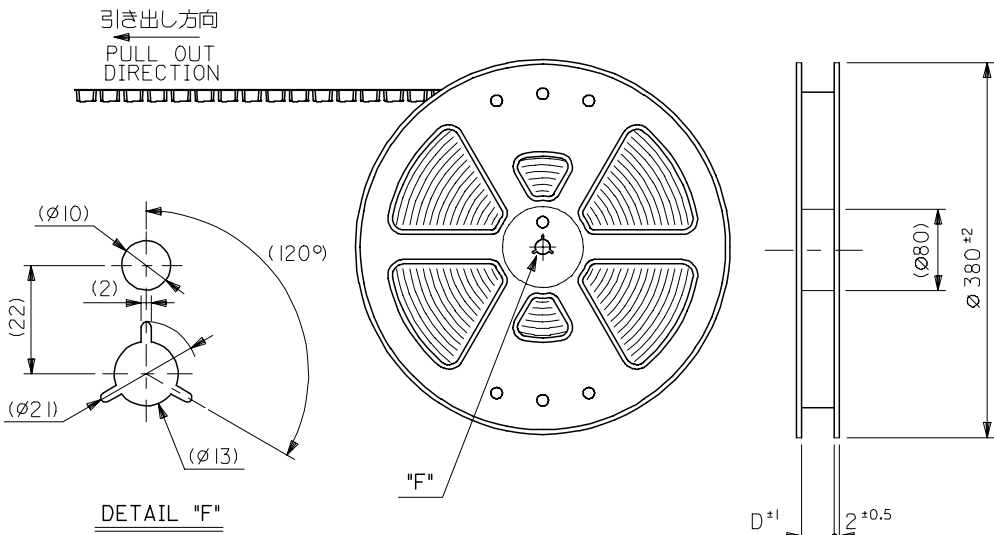
- 嵌合相手: 51021シリーズ MATE WITH: 51021 SERIES
 - 水平面上においての、ウエハー底面 **W** とソルダーテール及びフィッティングネイル底面とのズレ量を示す。
MISALIGNMENT OF SOLDER TAIL & FITTING NAIL FROM **W**
 - 偶数極にのみ適用。APPLY EVEN CIRCUIT PRODUCTS.
 - ロック窓は、2, 3極は1ヶ所、4極以上は2ヶ所とする。
LOCKING WINDOW: ONE PLACE FOR 2&3 CKTS. TWO PLACES FOR MORE THAN 4 CKTS.
 - 材質 MATERIAL
ウエハー: NYLON46, (G.F.30%) UL94V-0
WAFER
ピン: リン青銅
PIN: PHOS-BRO
: 錆メッキ 1.0マイクロメートル以上
: TIN 1.0 MICROMETER MINIMUM
: ニッケル下地 1.0マイクロメートル以上
: NICKEL(UNDER PLATING) 1.0 MICROMETER MINIMUM
 - 金具 FITTING NAIL: リン青銅
: PHOS-BRO
: 錆メッキ 1.0マイクロメートル以上
: TIN 1.0 MICROMETER MINIMUM
: ニッケル下地 1.0マイクロメートル以上
: NICKEL(UNDER PLATING) 1.0 MICROMETER MINIMUM
6. 本製品は 53398-***10 の鉛フリー品である。
THIS PRODUCT IS LEAD FREE OF 53398-***10.

23.9	23.5	20.5	18.6	19.3	17.5	53398-1519	15
22.65	22.25	19.25	17.35	18.05	16.25	▲ -1419	14
21.4	21	18	16.1	16.8	15	-1319	13
20.15	19.75	16.75	14.85	15.55	13.75	-1219	12
18.9	18.5	15.5	13.6	14.3	12.5	-1119	11
17.65	17.25	14.25	12.35	13.05	11.25	-1019	10
16.4	16	13	11.1	11.8	10	-0919	9
15.15	14.75	11.75	9.85	10.55	8.75	-0819	8
13.9	13.5	10.5	8.6	9.3	7.5	-0719	7
12.65	12.25	9.25	7.35	8.05	6.25	-0619	6
11.4	11	8	6.1	6.8	5	-0519	5
10.15	9.75	6.75	4.85	5.55	3.75	-0419	4
8.9	8.5	5.5	3.6	4.3	2.5	▼ -0319	3
7.65	7.25	4.25	2.35	3.05	1.25	53398-0219	2



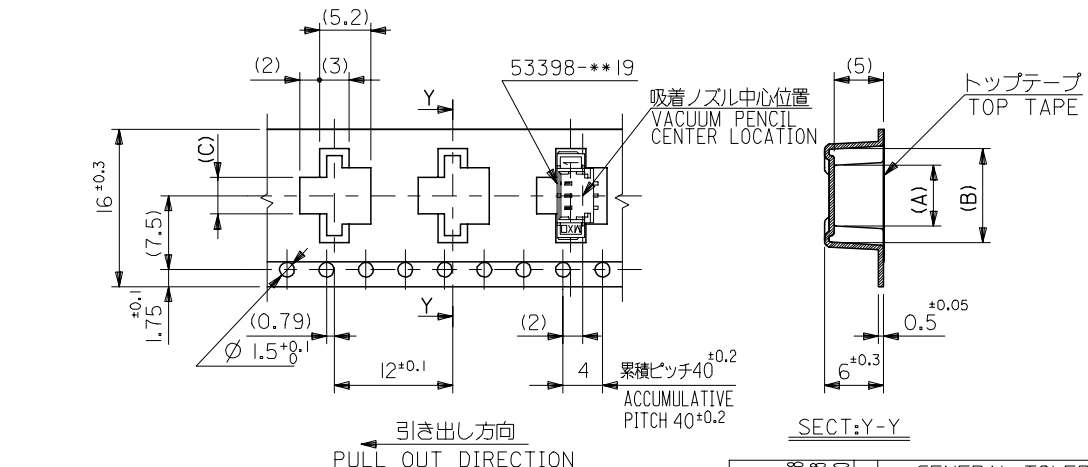
LOCK CONFIGURATION

REVISED EC NO: J2005-2328 DR: WAKUMEDA CHK: KATOYODA APPR: NUKITA 2005/02/09 2005/02/09 2005/02/22	GENERAL TOLERANCES (UNLESS SPECIFIED)		DIMENSION STYLE MM ONLY		SCALE ---	DESIGN UNITS METRIC	THIRD ANGLE PROJECTION
	10 UNDER	±0.2	DRAWN BY MNONOMIY	DATE 04/02/06	TITLE 1.25 W/B CONN. ASS'Y FOR SMT(ST.) -LEAD FREE-		
	10 OVER 30 UNDER	±0.25	CHECKED BY KTOJO	DATE 04/02/06	MATERIAL NO. SEE DRAWING		
	30 OVER	±0.3	APPROVED BY MSASAO	DATE 04/02/06	DOCUMENT NO. SD-53398-032		
ANGULAR ±3 °		DRAFT WHERE APPLICABLE MUST REMAIN WITHIN DIMENSIONS		MATERIAL NO. SEE DRAWING		DOCUMENT NO. SD-53398-032	SHEET NO. 1 OF 1
THIS DRAWING CONTAINS INFORMATION THAT IS PROPRIETARY TO MOLEX INCORPORATED AND SHOULD NOT BE USED WITHOUT WRITTEN PERMISSION							



NOTES

- 梱包数量: 1000個/リール
NUMBER OF CONNECTOR: 1000PCS/REEL
- リードテープ長さ
LEAD TAPE LENGTH
トップテープ未接着部
TOP TAPE NON-BONDED PART
25 ± 10
空エンボス 20 ~ 25PCS.
NUMBER OF EMPTY PART
部品挿入部
COMPONENT SUPPLIER
末端部 (空部)
TAIL PART (EMPTY)
360 ± 35
480 ± 80
引き出し方向
PULL OUT DIRECTION
- トップテープの剥離強度: 0.6 ± 0.35N(60 ± 35gf) (剥離方向は下図参照)
PEELING OFF FORCE OF TOP TAPE: 0.6 ± 0.35N(60 ± 35gf)
(PEELING DIRECTION IS SHOWN IN FOLLOWING FIG.)
<剥離速度: 300mm/min (参考)>
PEELING SPEED: 300mm/min. (REFERENCE)
引き出し方向
PULL OUT DIRECTION
剥離方向
PEEL OFF DIRECTION
10°
- 53398-**-19 の詳細寸法については図面 SD-53398-032 を参照下さい。
RE DETAILED DIMENSIONS, SEE SD-53398-032.
- 材料 (MATERIAL)
キャリアテープ (CARRIER TAPE): ポリプロピレン (POLYPROPYLENE)
トップテープ (TOP TAPE): PET, PE, PEF
リール (REEL): ポリスチレン (P.S) <リサイクル材含む>
POLYSTYREN (P.S) <RECYCLE MATERIAL CONTAINED>
- 本製品は 53398-**-90 の鉛フリー品である。
THIS PRODUCT IS LEAD FREE OF 53398-**-90.



16幅テープ
(TAPE WIDTH: 16)

REVISED EC NO: DRAWN: M. I. GUCH CHKD: K. ASAKAWA APP: S. ICHIKAWA REV: A	DESCRIPTION 2004/07/28 2004/07/28 2004/07/30	GENERAL TOLERANCES (UNLESS SPECIFIED)		DIMENSION STYLE MM ONLY		SCALE ---	DESIGN UNITS METRIC	THIRD ANGLE PROJECTION		
		10 UNDER	± 0.2	DRAWN BY NINOMIYA		DATE '04/02/06	TITLE 1.25 W/B CONN WAFER ASSY FOR SMT. EMBSTP. PKG. -LEAD FREE-			
		10 OVER 30 UNDER	± 0.25	CHECKED BY K. TOJO		DATE '04/02/06	MOLEX INCORPORATED			
		30 OVER	± 0.3	APPROVED BY M. SASAO		DATE '04/02/06				
		ANGULAR	± 3 °	MATERIAL NO. SEE CHART		DOCUMENT NO. SD-53398-033		SHEET NO. 1 OF 3		
		DRAFT WHERE APPLICABLE MUST REMAIN WITHIN DIMENSIONS		SIZE A3		THIS DRAWING CONTAINS INFORMATION THAT IS PROPRIETARY TO MOLEX INCORPORATED AND SHOULD NOT BE USED WITHOUT WRITTEN PERMISSION				

10 9 8 7 6 5 4 3 2 1

F

E

D

C

B

A

F

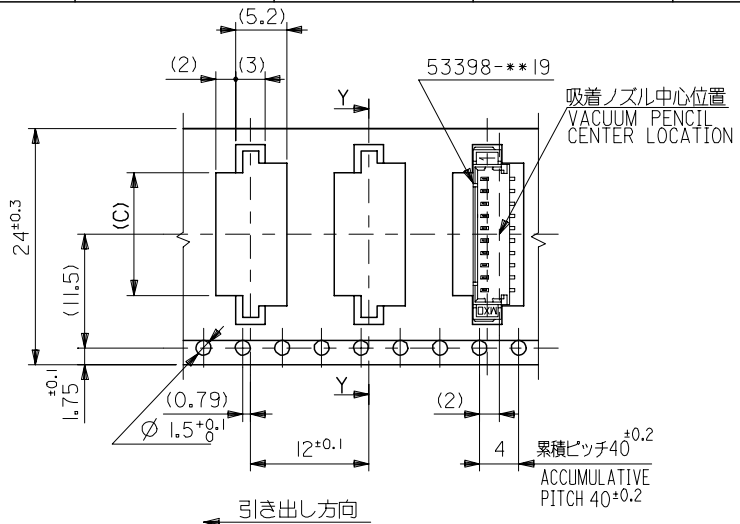
E

D

C

B

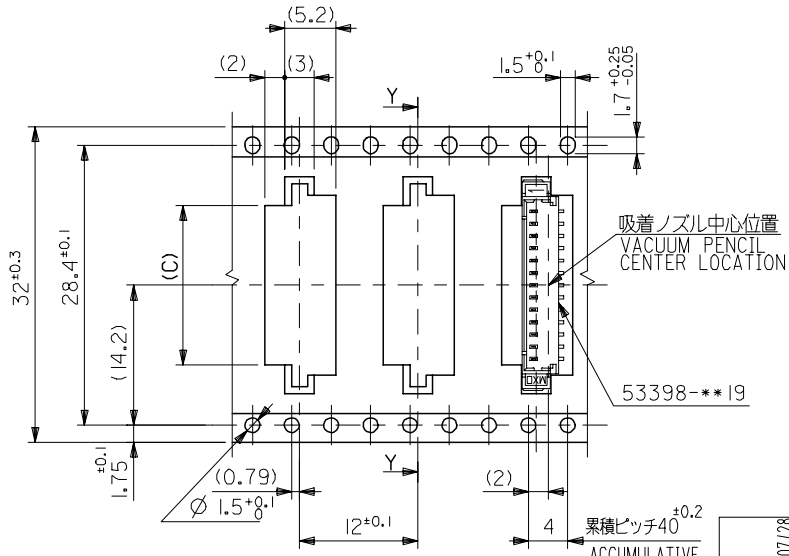
A



引き出し方向
PULL OUT DIRECTION

24幅テープ
(TAPE WIDTH:24)

SECT:Y-Y



引き出し方向
PULL OUT DIRECTION

32幅テープ
(TAPE WIDTH:32)

SECT:Y-Y

32	37.4	33.4	16.2	22	18.3	53398-1371	13
			14.95	20.75	17.05	↑ -1271	12
24	29.4	25.4	13.7	19.5	15.8	-1171	11
			12.45	18.25	14.55	-1071	10
			11.2	17	13.3	-0971	9
			9.95	15.75	12.05	-0871	8
			8.7	14.5	10.8	-0771	7
			7.45	13.25	9.55	-0671	6
			6.2	12	8.3	↓ -0571	5
4.95	10.75	7.05	53398-0471	4			
キャリアテープ幅 CARRIER TAPE WIDTH	E	D	(C)	(B)	(A)	MATERIAL NO.	種数 CKT.

REVISED EC NO: DRAWN:MERIGUCHI CHKD:K.ASAKAWA APP:R.S.ICHIKAWA 2004/07/28 2004/07/28 2004/07/30	GENERAL TOLERANCES (UNLESS SPECIFIED)		DIMENSION STYLE MM ONLY		SCALE ---	DESIGN UNITS METRIC	THIRD ANGLE PROJECTION
	10 UNDER	±0.2	DRAWN BY NINOMIYA	DATE '04/02/06	TITLE 1.25 W/B CONN WAFER ASSY FOR SMT. EMBSTP. PKG. -LEAD FREE-		
	10 OVER 30 UNDER	±0.25	CHECKED BY K. TOJO	DATE '04/02/06	APPROVED BY M. SASAO		
	30 OVER	±0.3	APPROVED BY M. SASAO	DATE '04/02/06	MATERIAL NO. SEE CHART		
	ANGULAR	±3 °	DRAFT WHERE APPLICABLE MUST REMAIN WITHIN DIMENSIONS		DOCUMENT NO. SD-53398-033		SHEET NO. 2 OF 3

SIZE A3 THIS DRAWING CONTAINS INFORMATION THAT IS PROPRIETARY TO MOLEX INCORPORATED AND SHOULD NOT BE USED WITHOUT WRITTEN PERMISSION

10 9 8 7 6 5 4 3 2 1

F

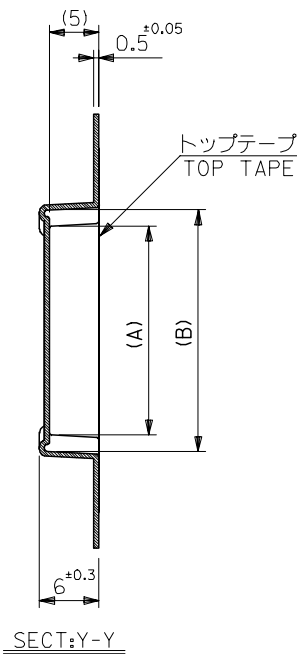
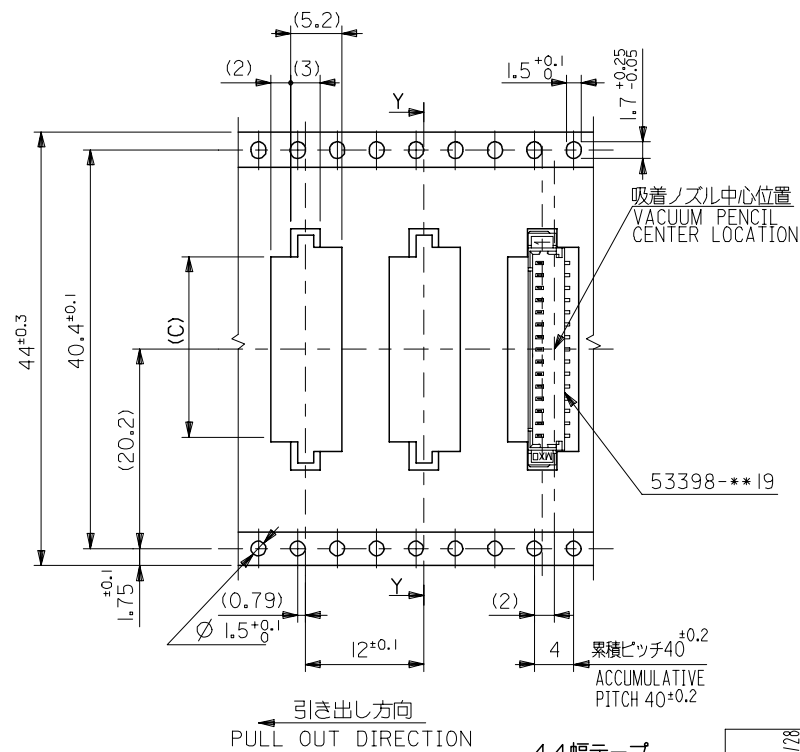
E

D

C

B

A



44	49.4	45.4	18.7	24.5	20.8	53398-I571	I5
			17.45	23.25	19.55	53398-I471	I4
キャリアテープ幅 CARRIER TAPE WIDTH	E	D	(C)	(B)	(A)	MATERIAL NO.	種数 CKT.

REVISED EC NO: 2004/07/28 2004/07/28 2004/07/30 DRW:MERIGUCH CHK:K.ASAKAW APPR:S.ICHIKAW	GENERAL TOLERANCES (UNLESS SPECIFIED)		DIMENSION STYLE MM ONLY		SCALE ---	DESIGN UNITS METRIC	THIRD ANGLE PROJECTION
	10 UNDER	±0.2	DRAWN BY NINOMIYA	DATE '04/02/06	TITLE 1.25 W/B CONN WAFER ASSY FOR SMT. EMBSTP. PKG. -LEAD FREE-		
	10 OVER 30 UNDER	±0.25	CHECKED BY K. TOJO	DATE '04/02/06	APPROVED BY M. SASAO		
	30 OVER	±0.3	APPROVED BY M. SASAO	DATE '04/02/06	MATERIAL NO. SEE CHART		
	ANGULAR	±3 °	DRAFT WHERE APPLICABLE MUST REMAIN WITHIN DIMENSIONS		DOCUMENT NO. SD-53398-033	SHEET NO. 3 OF 3	